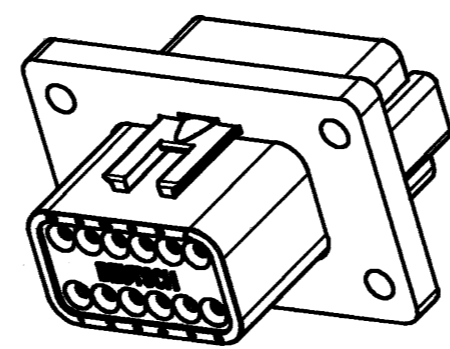
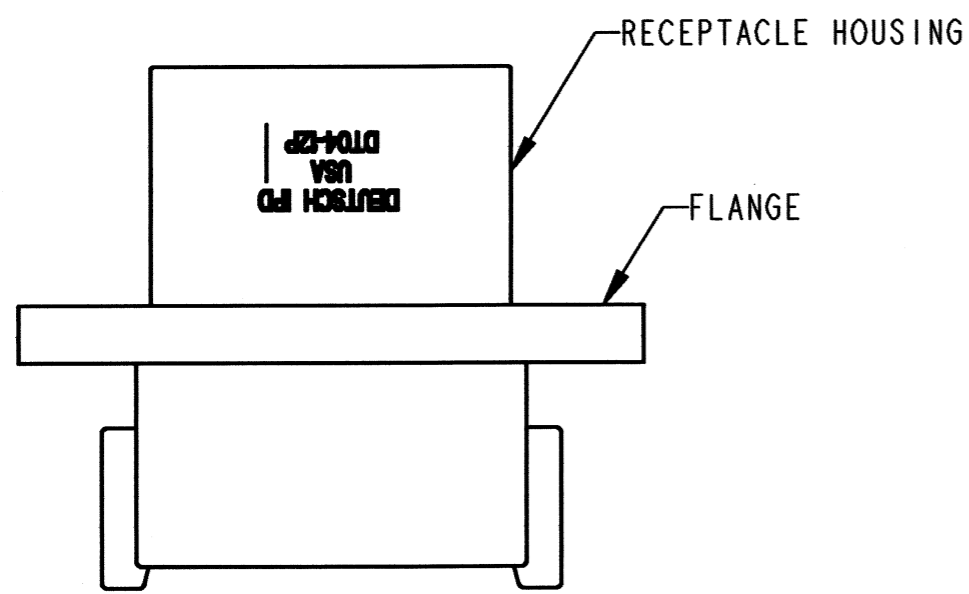


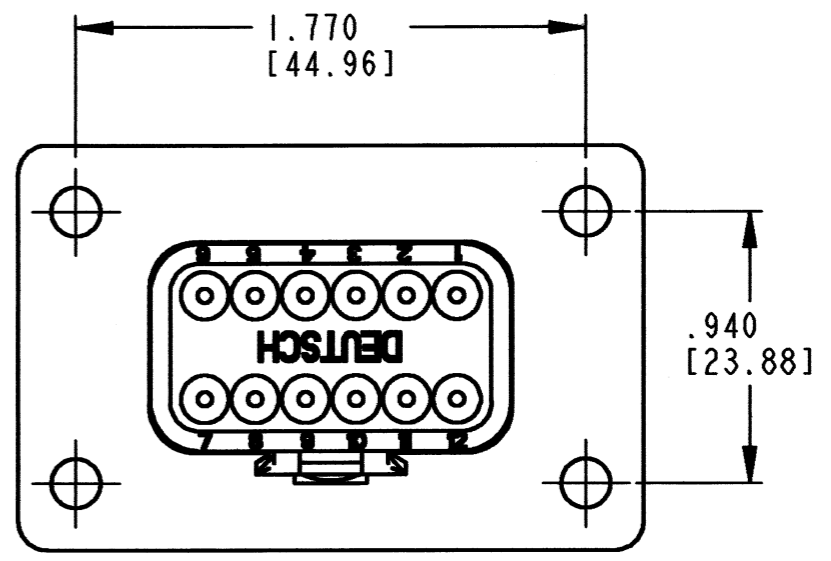
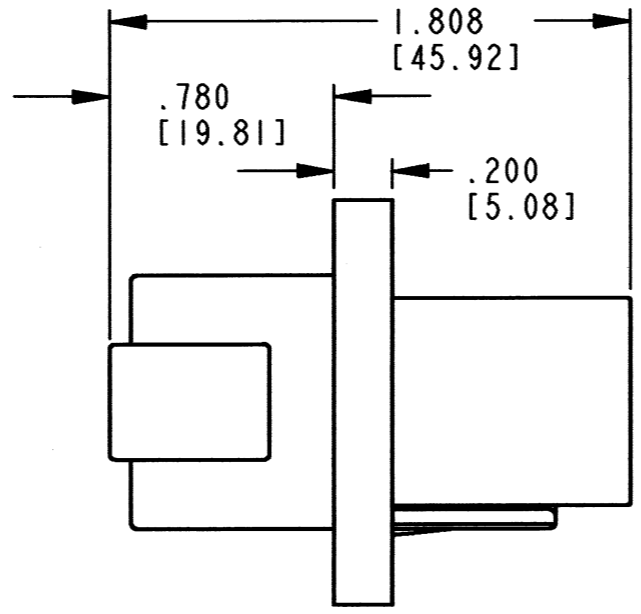
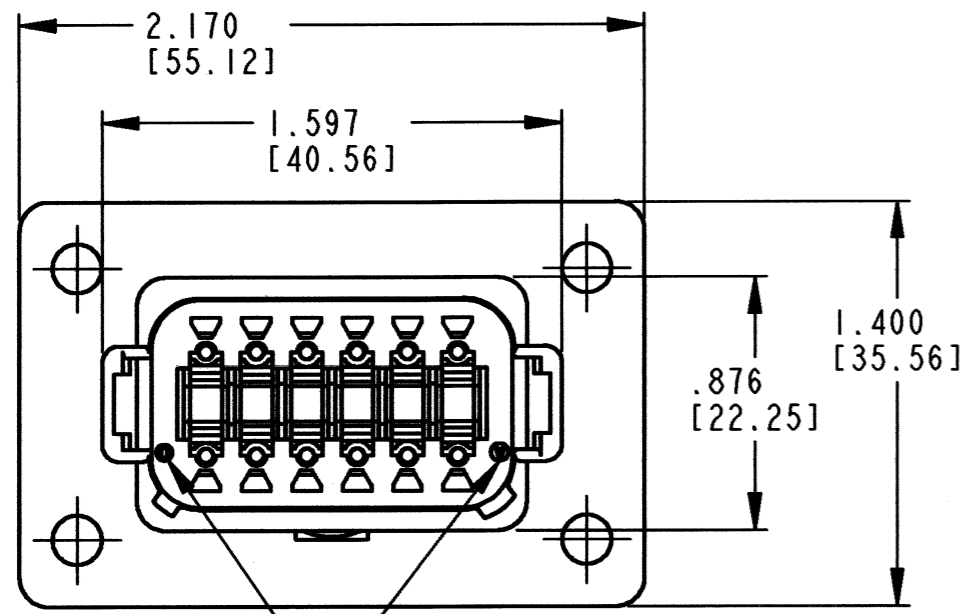
REV
A DT04-12P*-L012

REVISIONS			
SYM	DESCRIPTION	DATE	APPROVED
NC	REDRAWN/REPLACES PREVIOUS		
	RELEASE PER E.O. P19542	6/12/07	R.D.R.
A	REVISED PER E.O. P20438	5-10-10	RDR



3-DIMENSIONAL VIEW

CONTACT SIZE	MIN. INSUL O.D.	MAX. INSUL O.D.	WIRE RANGE [mm ²] REF ONLY
16	.088 [2.24]	.145 [3.68]	14-20 AWG [2.0-0.5]



DATE CODE: MONTH IS REPRESENTED BY SEQUENTIAL ALPHA CHARACTERS. EX: A = JANUARY
YEAR IS REPRESENTED BY LAST NUMERICAL DIGIT. EX: 0 = 2000.

- 5. CONNECTOR MATERIAL IS PLATIC AND SEAL IS RUBBER. FLANGE COLOR IS GREY. FOR HOUSING COLOR SEE SHEET 2.
- 4. THIS RECEPTACLE MATES WITH DT06-12*-**** PLUG. (* = KEY ARR. A, B, C, OR D, **** = ALL MODIFICATIONS) CONSULT FACTORY FOR MODIFICATIONS.

3. FOR CONTACTS AND WIRE PERFORMANCE AND APPLICATION CHARACTERISTICS, SEE ENVELOPE DRAWINGS 0425-015-0000 AND 0425-017-0000.

- 2. DIMENSIONS ARE ±.025[0.63] UNLESS OTHERWISE SPECIFIED.
- 1. DIMENSIONS ARE IN INCHES [MILLIMETERS].

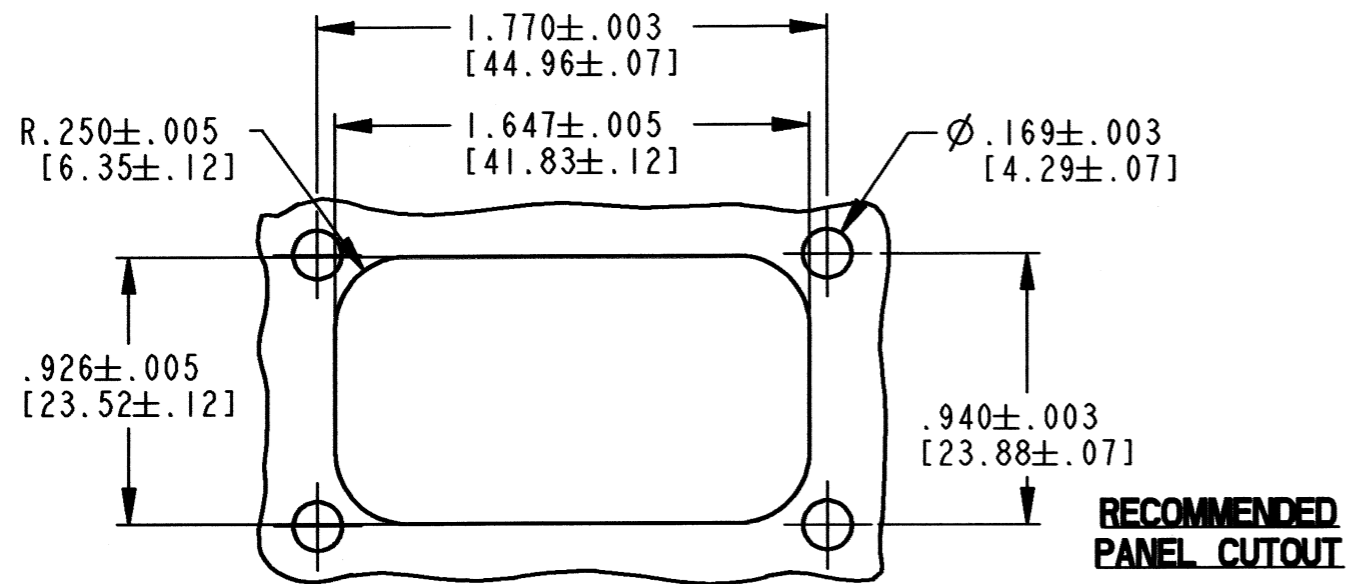
NOTES:

SIGNATURE & DATE	
DR	A. MALAGON 16MAY07
CHK	R. McLeod 5/14/10
PE	R. M... 2/12/10
APPD	S. Beard 5-4-10
SCALE	NONE
WT	

12 WAY RECEPTACLE
W/ FLANGE
-L012 MOD.
DT SERIES

ENVELOPE

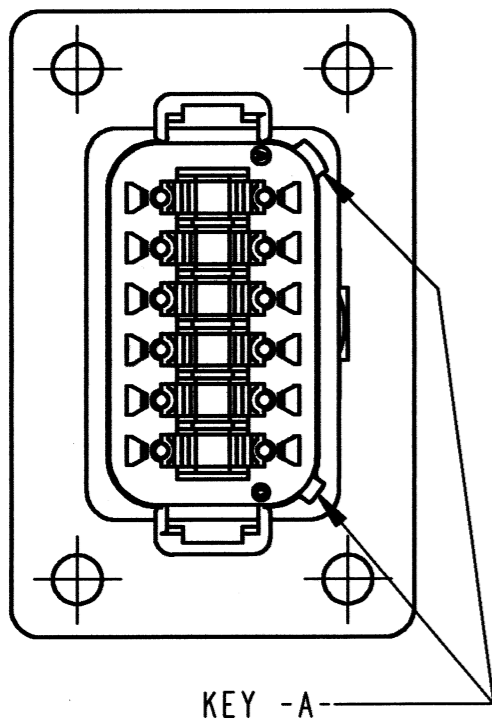
EP	MATL. CODE
3850 INDUSTRIAL AVE. HEMET, CA 92545	
B	DT04-12P*-L012
DWG SIZE	CODE 11139 SHEET 1 OF 2



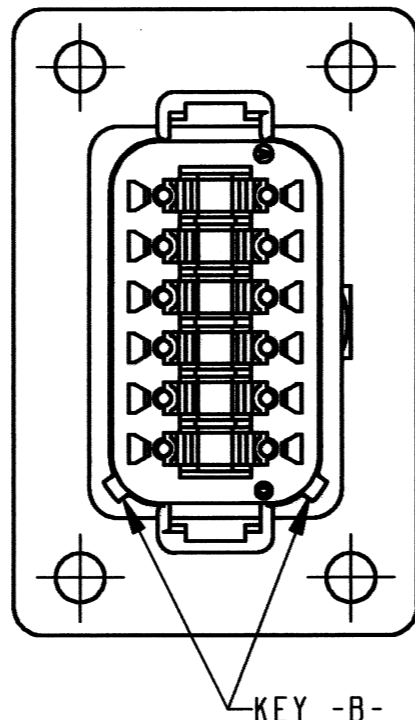
REV
A DT04-12P*-L012

REVISIONS			
SYM	DESCRIPTION	DATE	APPROVED
A	SEE SHEET #1	5-18-10	RDR

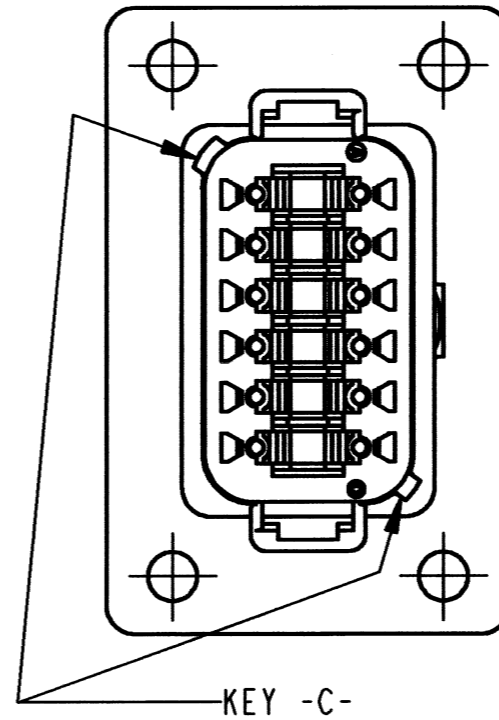
DT04-12PA-L012
KEY -A-
COLOR: GREY



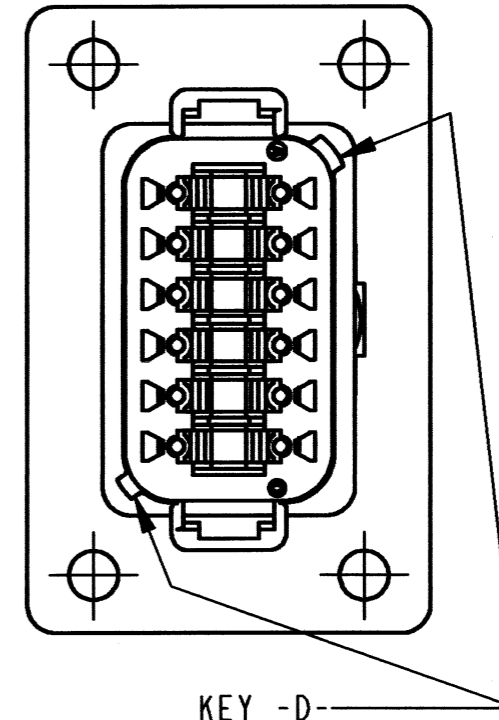
DT04-12PB-L012
KEY -B-
COLOR: BLACK



DT04-12PC-L012
KEY -C-
COLOR: GREEN



DT04-12PD-L012
KEY -D-
COLOR: BROWN




NOTES: SEE SHEET #1

SIGNATURE & DATE	
DR	A. MALAGON 16MAY07
CHK	R. Malaga 5/14/10
PE	M. Malaga 2/12/10
APPD	J. Bernal 5.4.10
SCALE	NONE WT

12 WAY RECEPTACLE
W/ FLANGE
-L012 MOD.
DT SERIES

ENVELOPE

EP	MATL. CODE
 3850 INDUSTRIAL AVE. HEMET, CA 92545	
B	DT04-12P*-L012
DWG SIZE	CODE 11139 SHEET 2 OF 2